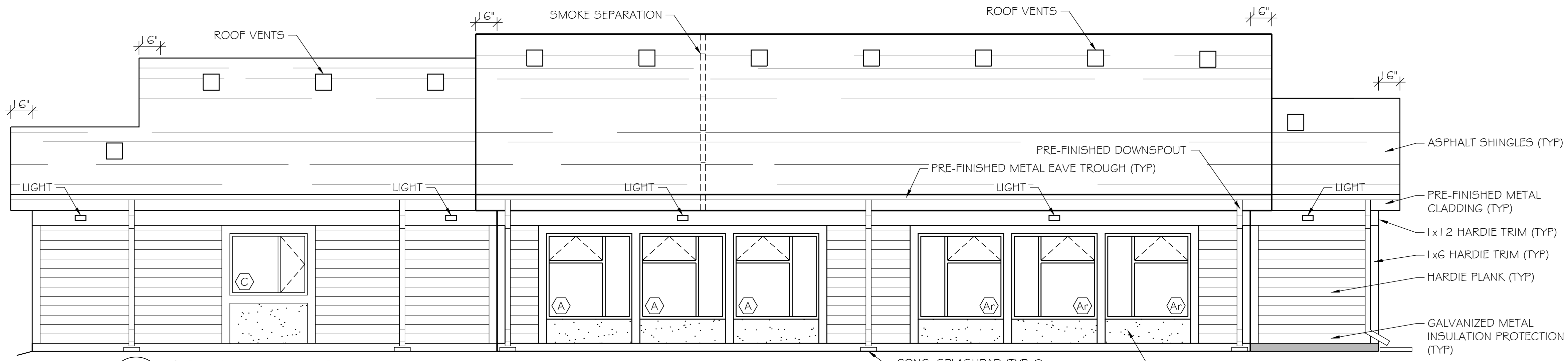
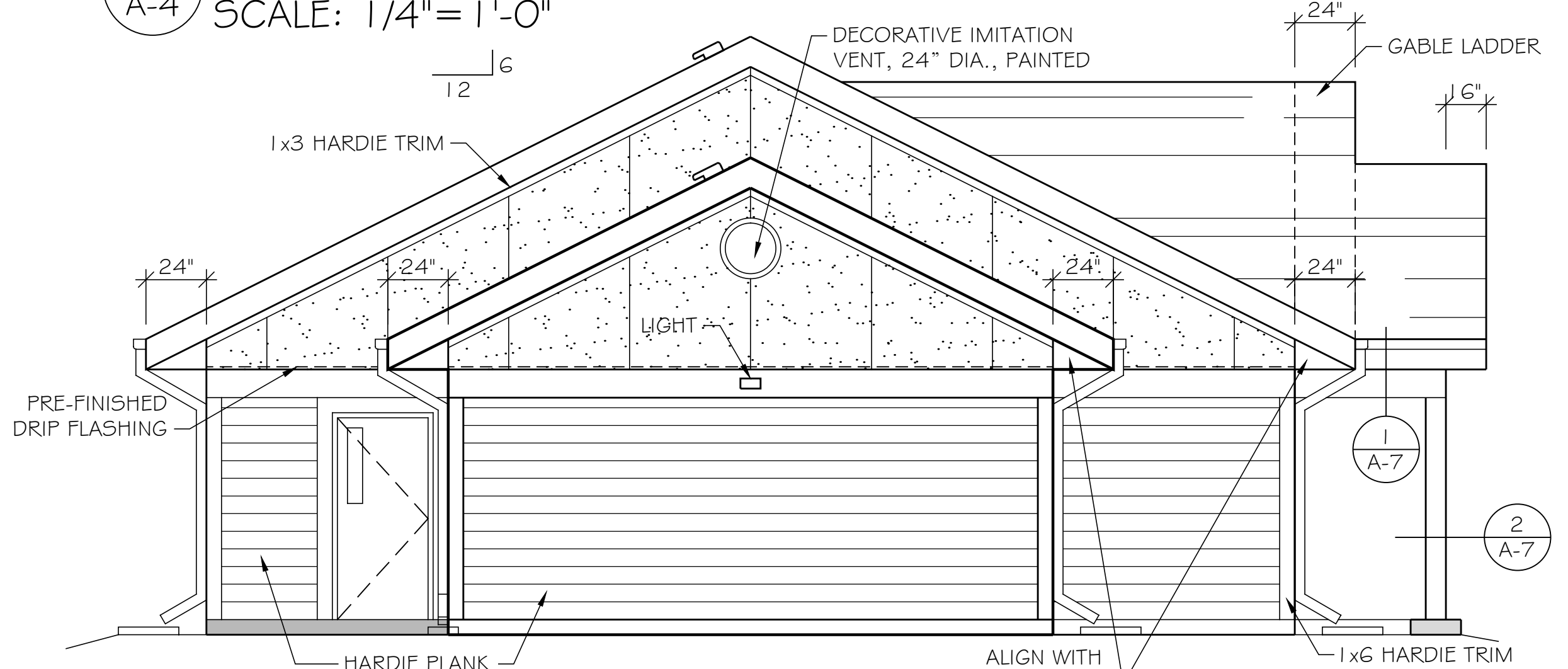


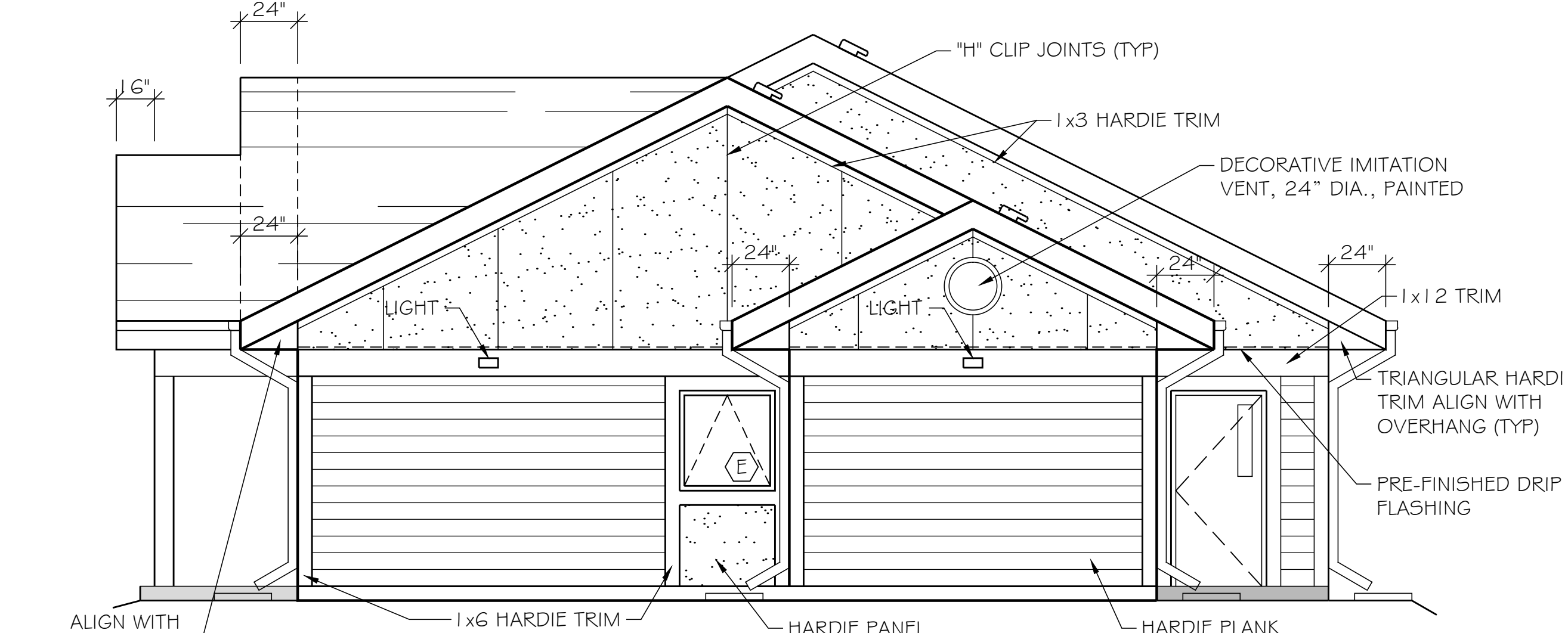
SEE SPECIFICATION FOR ALTERNATE PRICING ON EXTERIOR CLADDING.



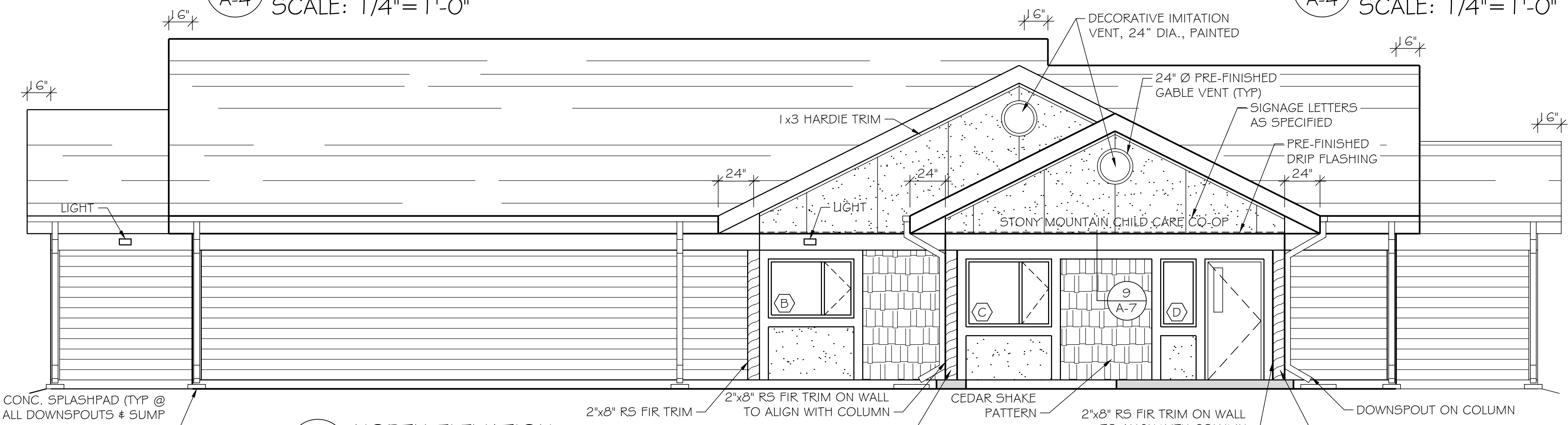
1 SOUTH ELEVATION  
A-4 SCALE: 1/4" = 1'-0"



2 EAST ELEVATION  
A-4 SCALE: 1/4" = 1'-0"



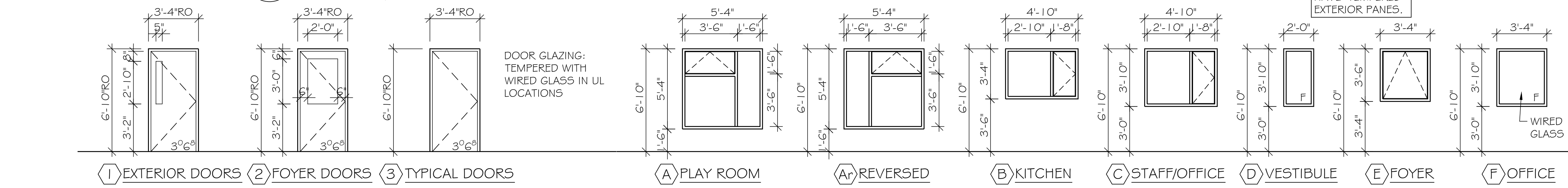
3 WEST ELEVATION  
A-4 SCALE: 1/4" = 1'-0"



4 NORTH ELEVATION  
A-4 SCALE: 1/4" = 1'-0"

FRAME / STRAP ALL GABLES OUT FOR EXTERIOR FINISH TO BE ON SAME PLANE / CONTINUOUS WITH WALL BELOW.

NOTE: ALL ATTICS TO BE INTERCONNECTED FOR ACCESS AND VENTILATION



1 EXTERIOR DOORS 2 FOYER DOORS 3 TYPICAL DOORS A PLAY ROOM Ar REVERSED B KITCHEN C STAFF/OFFICE D VESTIBULE E FOYER F OFFICE

GERALD A. KORZENIOWSKI ARCHITECT INC. 2310-65 SWINDON WAY, WINNIPEG, MB. R3P 0T8 PHONE: (204)832-8666 gerardak@shaw.ca

PROJECT: STONY MOUNTAIN CHILD CARE CO-OP INC. STONY MOUNTAIN, MB

THE CONTRACTOR SHALL CHECK ALL DIMENSIONS AND OTHER DATA ON SITE AND REPORT ANY DISCREPANCIES TO THE ARCHITECT. THIS DRAWING IS NOT TO BE SCALED.

SCALE: 1/4" = 1'-0" DATE: 26 JUN 17 DRAWN BY: JR/JPR FILE NO: GK 217.03

DRAWING TITLE: ELEVATIONS, DOORS & WINDOWS DRAWING NUMBER: A-4