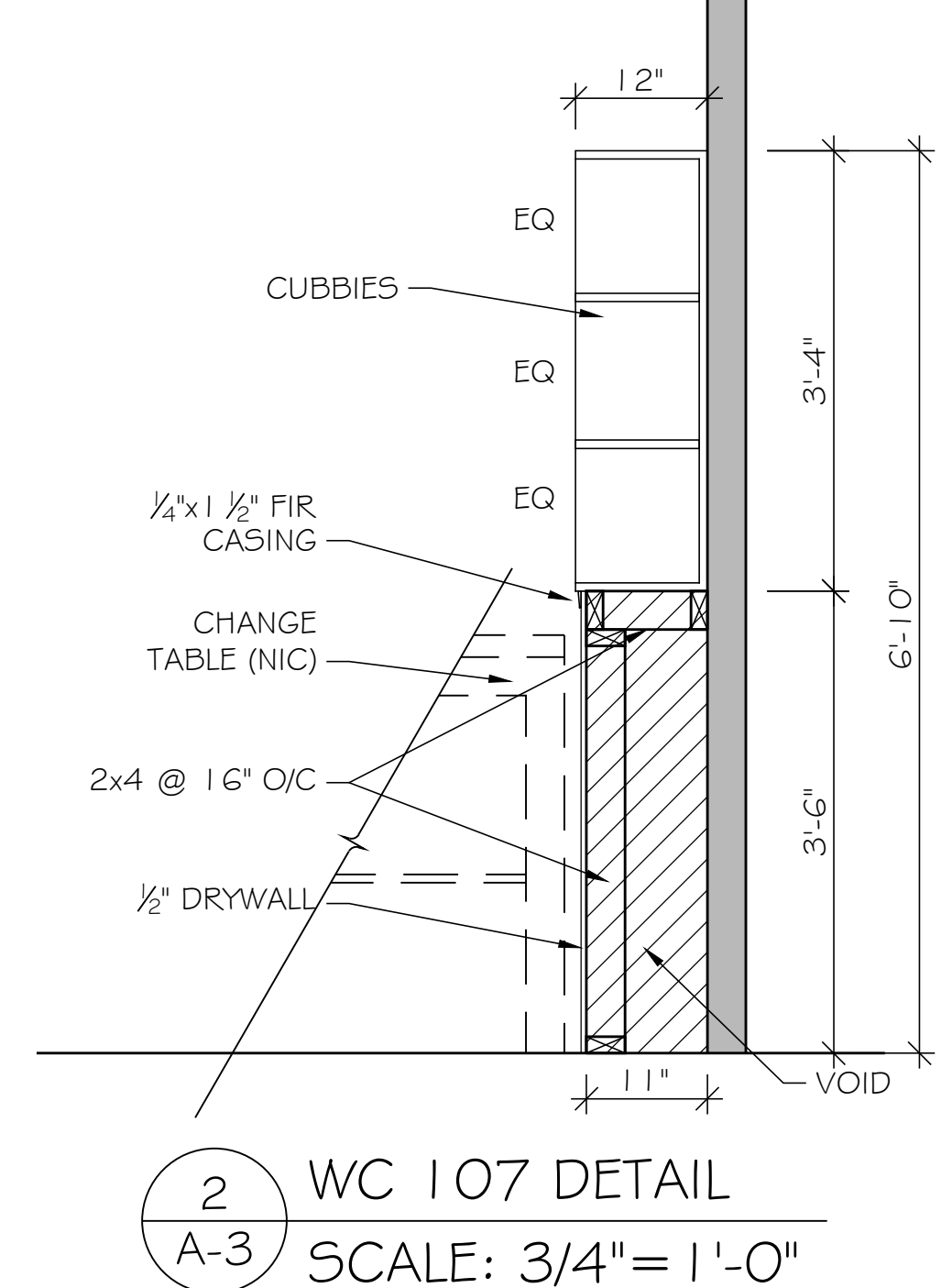
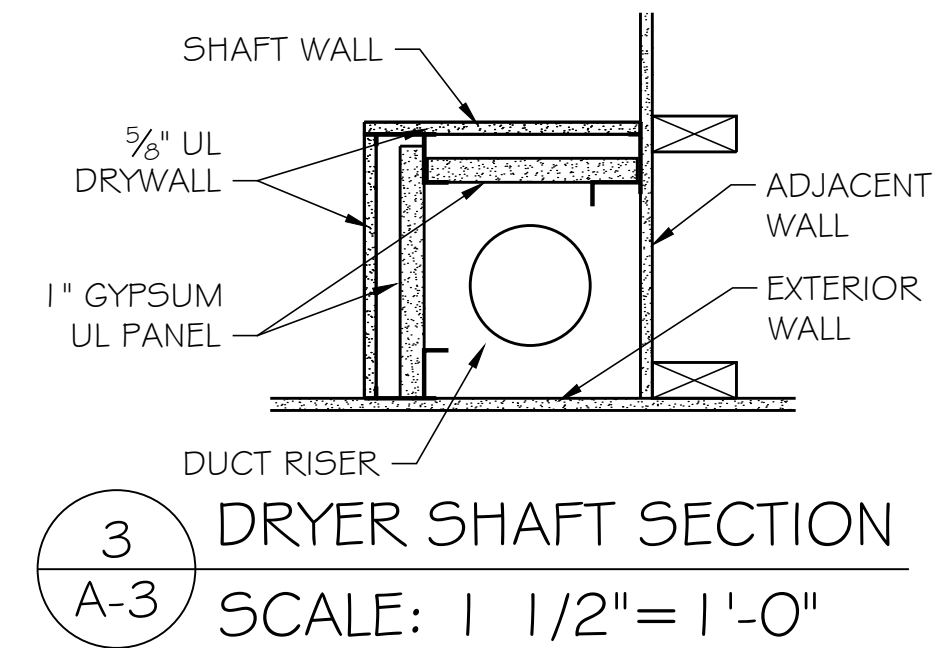


- INTERIOR WALL TYPES:**
- 1 HR - WP3510  
- 5/8" UL DRYWALL  
- 2x4'S @ 16" O/C  
- 5/8" UL DRYWALL
  - 2 HR - WP3520  
- 5/8" UL DRYWALL  
- 2x6'S @ 16" O/C  
- 5/8" UL DRYWALL
  - 3 INTERIOR PARTITION  
- 1/2" DRYWALL  
- 2x4'S @ 16" O/C  
- 1/2" DRYWALL
  - 4 PLUMBING WALL  
- 1/2" DRYWALL  
- 2x6'S @ 16" O/C  
- 1/2" DRYWALL
  - 5 FILL ENTIRE CAVITY WITH MINERAL WOOD BATT INSULATION.

SITE PLAN: BUILDING DIMENSIONS TO FACE OF CONCRETE FOUNDATION  
 CRAWL SPACE PLAN: DIMENSIONS TO FACE OF CONCRETE.  
 FLOOR PLAN: DIMENSIONS TO FACE OF STUDS.

1 STONY MOUNTAIN CHILD CARE CENTRE INC.  
 A-3 2562 FT<sup>2</sup> / 238 M<sup>2</sup>  
 SCALE: 1/4" = 1'-0"



GERALD A. KORZENIOWSKI ARCHITECT INC. 2310-65 SWINDON WAY, WINNIPEG, MB, R3P 0T8 PHONE: (204)832-8666 geraldak@show.ca	
PROJECT: STONY MOUNTAIN CHILD CARE CO-OP INC. STONY MOUNTAIN, MB	
<small>THE CONTRACTOR SHALL CHECK ALL DIMENSIONS AND OTHER DATA ON SITE AND REPORT ANY DISCREPANCIES TO THE ARCHITECT. THIS DRAWING IS NOT TO BE SCALED.</small>	
SCALE: 1/4" = 1'-0" DATE: 26 JUN 17 DRAWING TITLE:	DRAWN BY: JR/JPR FILE NO: GK 217.03 DRAWING NUMBER:
MAIN FLOOR PLAN	A-3